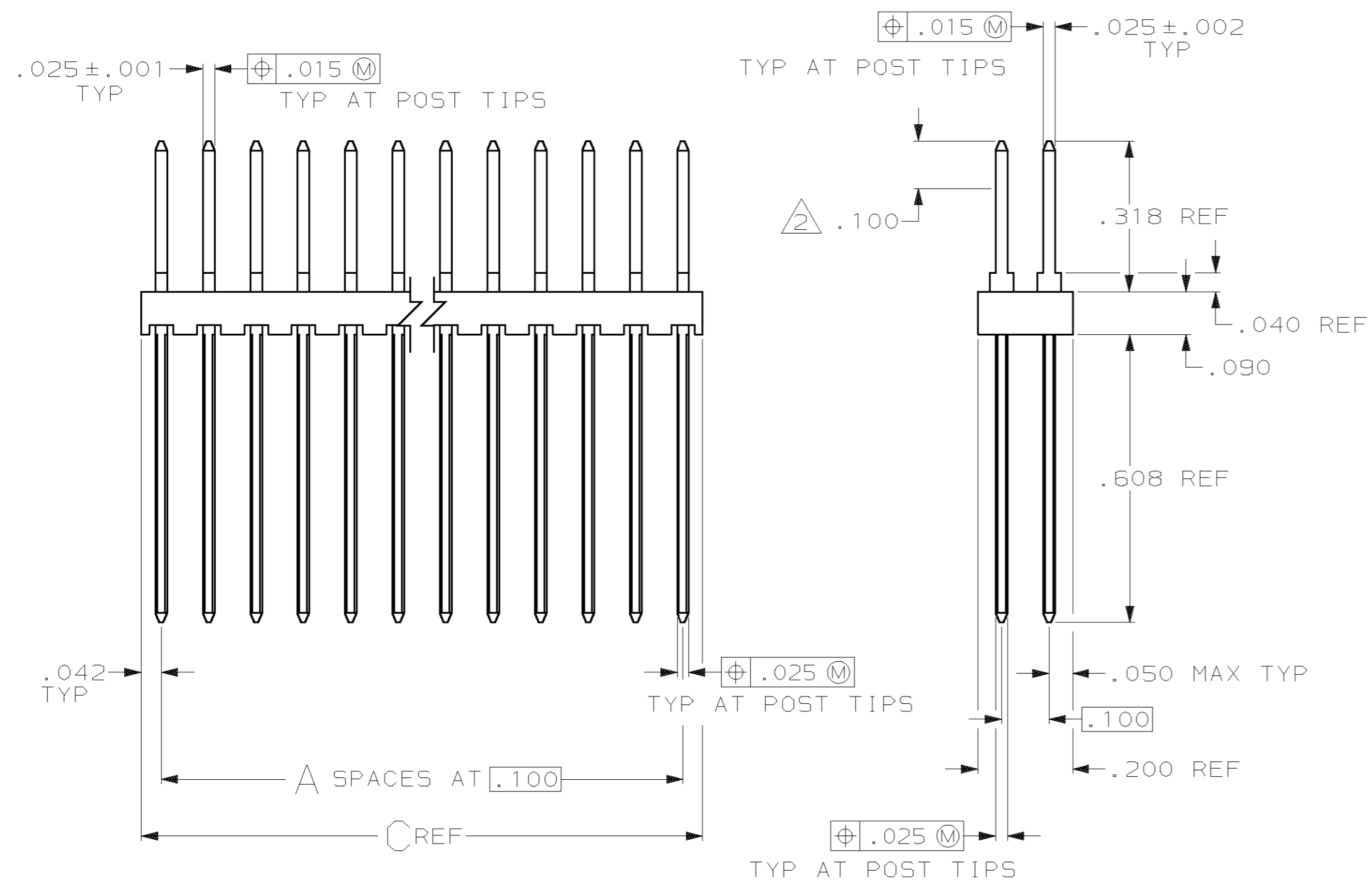
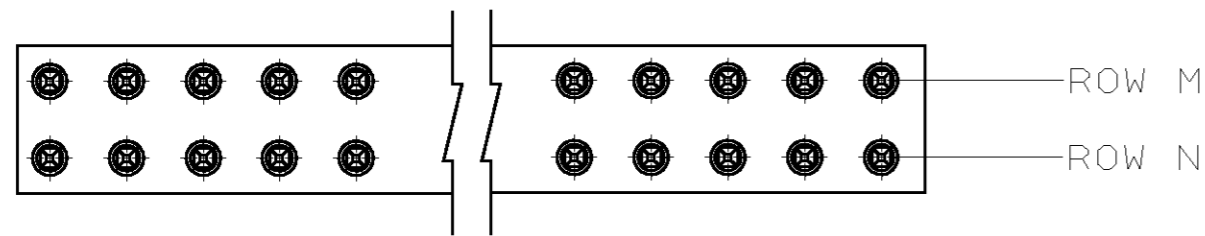
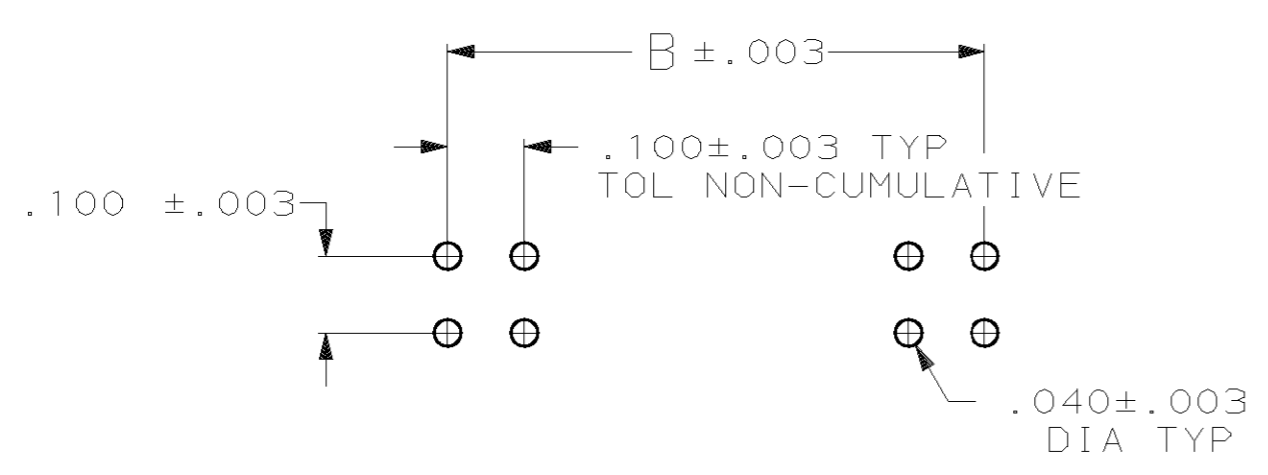


THIS DRAWING IS UNPUBLISHED. RELEASED FOR PUBLICATION ,19 .
 © COPYRIGHT 19 BY AMP INCORPORATED, HARRISBURG, PA. ALL INTERNATIONAL RIGHTS RESERVED. AMP PRODUCTS MAY BE COVERED BY U.S. AND FOREIGN PATENTS AND/OR PATENTS PENDING.

P		F		ZONE		LTR		DESCRIPTION		DATE	APPROVED
								J	REV PER 0G3C-0007-00	11JAN00	JG



- TRUE POSITION OF POST TIPS APPLIES WHEN HEADERS ARE HELD FLAT AGAINST PRINTED CIRCUIT BOARD.
- POINT OF MEASUREMENT FOR PLATING THICKNESS.



RECOMMENDED HOLE LAYOUT

POST NO.	ROM M	ROM N	C	B	A	NO OF POS	ASSEMBLY PART NUMBER
OBSOLETE	1,2,3,4	1,2,3,4	3.984	3.900	39	80	4-87545-2
	1	1	3.984	3.900	39	80	4- -1
	-	-	3.984	3.900	39	80	4- -0
OBSOLETE	-	-	3.884	3.800	38	78	3- -9
OBSOLETE	-	-	3.784	3.700	37	76	3- -8
OBSOLETE	-	-	3.684	3.600	36	74	3- -7
OBSOLETE	-	-	3.584	3.500	35	72	3- -6
OBSOLETE	-	-	3.484	3.400	34	70	3- -5
OBSOLETE	-	-	3.384	3.300	33	68	3- -4
OBSOLETE	-	-	3.284	3.200	32	66	3- -3
	-	-	3.184	3.100	31	64	3- -2
OBSOLETE	-	-	3.084	3.000	30	62	3- -1
OBSOLETE	-	-	2.984	2.900	29	60	3- -0
OBSOLETE	-	-	2.884	2.800	28	58	2- -9
OBSOLETE	-	-	2.784	2.700	27	56	2- -8
OBSOLETE	-	-	2.684	2.600	26	54	2- -7
OBSOLETE	-	-	2.584	2.500	25	52	2- -6
OBSOLETE	-	-	2.484	2.400	24	50	2- -5
OBSOLETE	-	-	2.384	2.300	23	48	2- -4
OBSOLETE	-	-	2.284	2.200	22	46	2- -3
OBSOLETE	-	-	2.184	2.100	21	44	2- -2
OBSOLETE	-	-	2.084	2.000	20	42	2- -1
	-	-	1.984	1.900	19	40	2- -0
OBSOLETE	-	-	1.884	1.800	18	38	1- -9
OBSOLETE	-	-	1.784	1.700	17	36	1- -8
OBSOLETE	-	-	1.684	1.600	16	34	1- -7
OBSOLETE	-	-	1.584	1.500	15	32	1- -6
OBSOLETE	-	-	1.484	1.400	14	30	1- -5
	-	-	1.384	1.300	13	28	1- -4
	-	-	1.284	1.200	12	26	1- -3
OBSOLETE	-	-	1.184	1.100	11	24	1- -2
	-	-	1.084	1.000	10	22	1- -1
	-	-	.994	.900	9	20	1- -0
OBSOLETE	-	-	.884	.800	8	18	-9
OBSOLETE	-	-	.784	.700	7	16	-8
	-	-	.684	.600	6	14	-7
	-	-	.584	.500	5	12	-6
	-	-	.484	.400	4	10	-5
	-	-	.384	.300	3	8	-4
OBSOLETE	-	-	.284	.200	2	6	-3
OBSOLETE	-	-	.184	.100	1	4	-2
OBSOLETE	-	-	.084	-	-	2	87545-1

UNLESS OTHERWISE SPECIFIED DIMENSIONS ARE IN INCHES. TOLERANCES ON: DECIMALS ± .005 ANGLES ±	CONTRACT NO	AMP INCORPORATED Harrisburg, Pa.	
	DR 10DEC96 S. SHUEY		
MATERIAL: HOUSING: FLAME RETARDANT THERMOPLASTIC, COLOR-BLACK POSTS: PHOS BRONZE	CHK 10DEC96 S. SHUEY	NAME	
	APPD 10DEC96 S. SHUEY	HEADER ASSEMBLY, MOD 11 .025 SQ. POST, .100x.100 GRID, DOUBLE ROW	
FINISH: POSTS: .000030 GOLD OVER .000050 NICKEL.	APPD 10DEC96 S. SHUEY	SIZE	FSCM NO
	DSGN APPD	C 00779	DRAWING NO
	OTHER APPD	87545	
		SCALE	SHEET
		4:1	1